

Replaceable filter shells VS Parker Sporlan K-Line



Parker Sporlan K-LINE VS replaceable filter shells ensure protection of refrigeration and air-conditioning systems from moisture, acids, and solid particles in liquid line or/and the suction line.

VS filter shells and associated cores allow answering to all problem of circuit's contamination for best protection of compressors and components.

An innovative conical core holder used in suction line allows minimizing pressure drop. The very large surfaces of the conical or cylindrical filters create a very low pressure drop comparatively to the other competitors.

VS filter shells are delivered with **steel or copper connections in inches and metric** and are suitable for both suction and liquid lines.

Steel connections are suitable for installations made with steel or stainless steel pipes and of course for copper pipes.

Copper connections are suitable for copper piping and can be braze with low content of silver alloy or with copper phosphoric alloy.

VS shells and associated cores holders and cores guaranties cleanness and performances of all systems.

This contributes to reduce operation and maintenance costs.

Benefits

Max Working Pressure	35 bar (VS) / 46 bar (VSHP)
Temperature Range	-40°C to +80°C

- **Leak Testing:** 100% Helium leak tested
- **Coating:** Polyester coating giving protection to 500 hours salt spray
- **Filtration:** 20 microns
- **Approvals:** PED 97/23/EC - article I

Liquid capacities are published in accordance with ARI 710-86 standard $T_e = -15^\circ\text{C}$, $T_c = 30^\circ\text{C}$, $\Delta p = 0.07$ bar.

Suction capacities are published in accordance with ARI 730-2001 standard $T_e = -4.4^\circ\text{C}$, $T_c = 32^\circ\text{C}$, $\Delta p = 0.07$ bar.

Other working conditions see pages 223 to 225.

VS Series	Number of core(s)	Core holders	
		Cylindrical	Conical
VS48xx	1	ASK1	ASKSL
VS96xx	2	ASK2	ASKSL + ASK1
VS144xx	3	ASK3	ASKSL + ASK2
VS192xx	4	ASK4	ASKSL + SK3

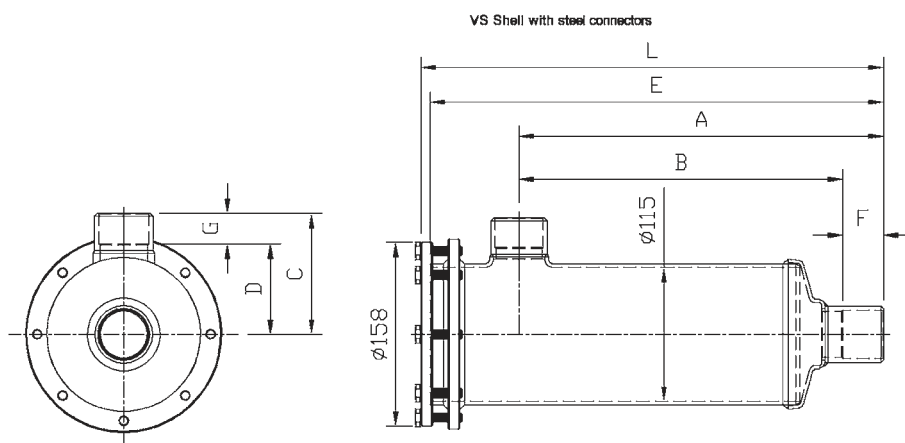
For all requests, consult your nearest Parker Sporlan Wholesaler or contact us on: racecustomerservice@parker.com / www.parker.com/race

Technical Data

VS Shells

With STEEL CONNECTIONS for liquid line - INCHES

Part Number	Connections ODF	Flow Capacity (kW)					Dimensions (mm)							
		R134a	R404A R507	R407C	R410A	R22	A	B	C	D	E	F	G	L
VS485	5/8"	68	48	71	73	74	151.8	124.8	87.5	72.5	227.8	27.0	15.0	235.8
VS487	7/8"	119	84	124	127	129	162.8	132.8	95.5	73.5	238.8	30.0	22.0	246.8
VS489	1-1/8"	166	117	173	178	180	161.8	131.8	97.5	72.5	237.8	30.0	25.0	245.8
VS4811	1-3/8"	207	147	216	223	225	161.8	131.8	97.5	72.5	237.8	30.0	25.0	245.8
VS4813	1-5/8"	224	158	234	241	244	168.8	133.8	99.5	74.5	244.8	35.0	25.0	252.8
VS4817	2-1/8"	234	166	245	252	255	166.8	141.8	99.5	74.5	242.8	25.0	25.0	250.8
VS4821	2-5/8"	245	173	256	264	267	172.5	147.5	127.5	102.5	258.5	25.0	25.0	266.5
VS4825	3-1/8"	262	185	274	282	285	182.9	138.9	133.0	88.0	268.9	45.0	45.0	276.9
VS967	7/8"	126	89	132	135	137	306.8	276.8	95.5	73.5	382.8	30.0	22.0	390.8
VS969	1-1/8"	206	145	215	221	224	305.8	275.8	97.5	72.5	381.8	30.0	25.0	389.8
VS9611	1-3/8"	210	148	219	225	228	305.8	275.8	97.5	72.5	381.8	30.0	25.0	389.8
VS9613	1-5/8"	234	166	245	252	255	312.8	277.8	99.5	74.5	388.8	35.0	25.0	396.8
VS9617	2-1/8"	246	174	257	265	268	310.8	285.8	99.5	74.5	386.8	25.0	25.0	394.8
VS9621	2-5/8"	251	177	262	270	273	316.5	291.5	127.5	102.5	402.5	25.0	25.0	410.5
VS9625	3-1/8"	282	198	293	300	314	326.9	282.9	133.0	88.0	412.9	44.0	45.0	420.9
VS1449	1-1/8"	212	150	222	228	231	446.8	416.8	97.5	72.5	522.8	30.0	25.0	530.8
VS14411	1-3/8"	234	165	244	251	254	446.8	416.8	97.5	72.5	522.8	30.0	25.0	530.8
VS14413	1-5/8"	245	173	255	263	266	453.8	418.8	99.5	74.5	529.8	35.0	25.0	537.8
VS14417	2-1/8"	271	191	283	291	294	451.8	426.8	99.5	74.5	527.8	25.0	25.0	535.8
VS14421	2-5/8"	281	198	293	301	305	457.5	432.5	127.5	102.5	543.5	25.0	25.0	551.5
VS14425	3-1/8"	309	217	321	330	334	467.9	423.9	133.0	88.0	553.9	44.0	45.0	561.9
VS1929	1-1/8"	220	156	233	237	240	590.8	560.8	97.5	72.5	666.8	30.0	25.0	674.8
VS19211	1-3/8"	242	171	253	260	263	590.8	560.8	97.5	72.5	666.8	30.0	25.0	674.8
VS19213	1-5/8"	253	179	264	272	275	597.8	562.8	99.5	74.5	673.8	35.0	25.0	681.8
VS19217	2-1/8"	284	200	296	305	308	595.8	570.8	99.5	74.5	671.8	25.0	25.0	679.8
VS19221	2-5/8"	293	207	306	315	319	601.5	576.5	127.5	102.5	687.5	25.0	25.0	695.5



For all requests, consult your nearest Parker Sporlan Wholesaler or contact us on:
racecustomerservice@parker.com / www.parker.com/race

Accurate at the time of going to print.



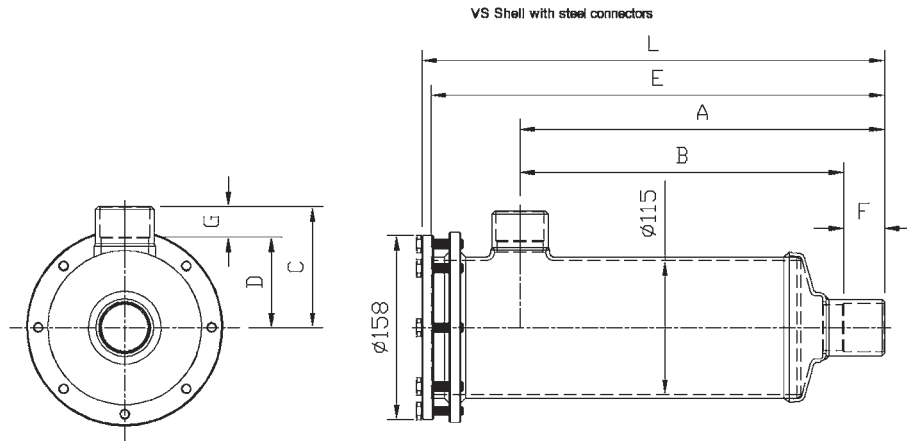
Technical Data

9

VS Shells

With STEEL CONNECTIONS for liquid line - METRIC

Part Number	Connections ODF	Flow Capacity (kW)					Dimensions (mm)							
		R134a	R404A R507	R407C	R410A	R22	A	B	C	D	E	F	G	L
VS485	16 mm	68	48	71	73	74	151.8	124.8	87.5	72.5	227.8	27.0	15.0	235.8
VS4828mm	28 mm	163	115	170	175	178	161.8	131.8	97.5	72.5	237.8	30.0	25.0	245.8
VS4811	35 mm	207	147	216	223	225	161.8	131.8	97.5	72.5	237.8	30.0	25.0	245.8
VS4842mm	42 mm	225	159	235	242	245	168.8	133.8	99.5	74.5	244.8	35.0	25.0	252.8
VS4817	54 mm	234	166	245	252	255	166.8	141.8	99.5	74.5	242.8	25.0	25.0	250.8
VS4864mm	64 mm	243	170	253	261	264	172.5	147.5	127.5	102.2	258.5	25.0	25.3	266.5
VS9628mm	28 mm	201	142	210	216	219	305.8	275.8	97.5	72.5	381.8	30.0	25.0	389.8
VS9611	35 mm	210	148	219	225	228	305.8	275.8	97.5	72.5	381.8	30.0	25.0	389.8
VS9642mm	42 mm	238	168	248	255	259	312.8	277.8	99.5	74.5	388.8	35.0	25.0	396.8
VS9617	54 mm	246	174	257	265	268	310.8	285.8	99.5	74.5	386.8	25.0	25.0	394.8
VS14428mm	28 mm	207	147	216	223	225	446.8	416.8	97.5	72.5	522.8	30.0	25.0	530.8
VS14411	35 mm	234	165	244	251	254	446.8	416.8	97.5	72.5	522.8	30.0	25.0	530.8
VS14442mm	42 mm	246	174	257	265	268	453.8	418.8	99.5	74.5	529.8	35.0	25.0	537.8
VS14417	54 mm	271	191	283	291	294	451.8	426.8	99.5	74.5	527.8	25.0	25.0	535.8
VS19211	35 mm	242	171	253	260	263	590.8	560.8	97.5	72.5	666.8	30.0	25.0	674.8
VS19242mm	42 mm	256	181	267	275	278	305.8	275.8	97.5	72.5	381.8	30.0	25.0	389.8
VS19217	54 mm	284	200	296	305	308	595.8	570.8	99.5	74.5	671.8	25.0	25.0	679.8



Accurate at the time of going to print.

For all requests, consult your nearest Parker Sporlan Wholesaler or contact us on:
racecustomerservice@parker.com / www.parker.com/race

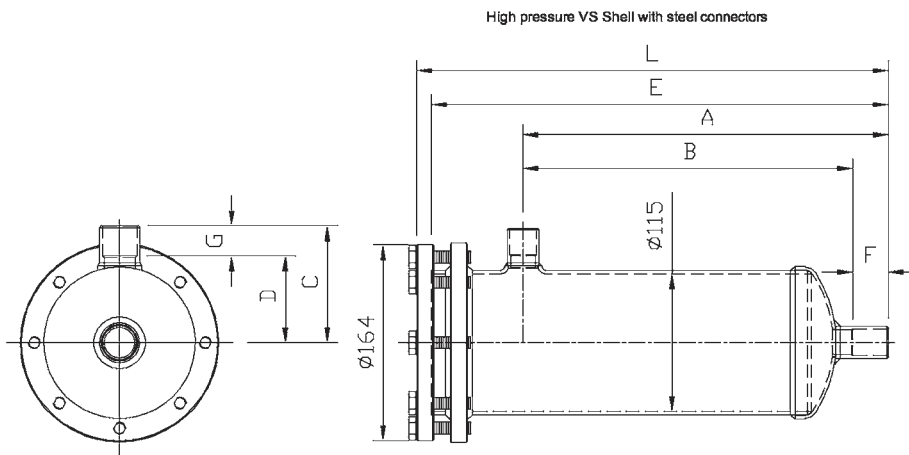


Technical Data

VS Shells High Pressure

With STEEL CONNECTIONS for liquid line - INCHES & METRIC

Part Number	Connections ODF	Flow Capacity (kW)					Dimensions (mm)							
		R134a	R404A R507	R407C	R410A	R22	A	B	C	D	E	F	G	L
VS485HP	5/8"	68	48	71	73	74	150.8	123.8	87.5	72.5	226.8	27.0	15.0	239.8
VS487HP	7/8"	119	84	124	127	129	161.5	131.5	99.5	73.5	237.5	30.0	22.0	250.5
VS489HP	1-1/8"	166	117	173	178	180	160.0	130.0	97.5	72.5	236.0	30.0	25.0	249.0
VS4811HP	1-3/8"	207	147	216	223	225	159.5	129.5	97.5	72.5	235.5	30.0	25.0	248.5
VS4813HP	1-5/8"	224	158	234	241	244	165.8	130.8	99.5	74.5	241.8	35.0	25.0	254.8
VS967HP	7/8"	126	147	216	223	137	305.5	275.5	99.5	73.5	381.5	30.0	22.0	394.5
VS969HP	1-1/8"	206	145	215	221	224	304.0	274.0	97.5	72.5	380.0	30.0	25.0	393.0
VS9611HP	1-3/8"	210	148	219	225	228	303.5	273.5	97.5	72.5	379.5	30.0	25.0	392.5
VS9613HP	1-5/8"	234	166	245	252	255	309.8	274.8	99.5	74.5	385.8	35.0	25.0	398.8
VS4828mmHP	28 mm	163	115	170	175	178	160.0	130.0	97.5	72.5	236.0	30.0	25.0	249.0
VS4842mmHP	42 mm	225	159	235	242	245	165.8	130.8	99.5	74.5	241.8	35.0	25.0	254.8
VS9628mmHP	28 mm	201	142	210	216	219	304.0	274.0	97.5	72.5	380.0	30.0	25.0	393.0
VS9642mmHP	42 mm	238	168	248	255	259	309.8	274.8	99.5	74.5	385.8	35.0	25.0	398.8



For all requests, consult your nearest Parker Sporlan Wholesaler or contact us on:
racecustomerservice@parker.com / www.parker.com/race



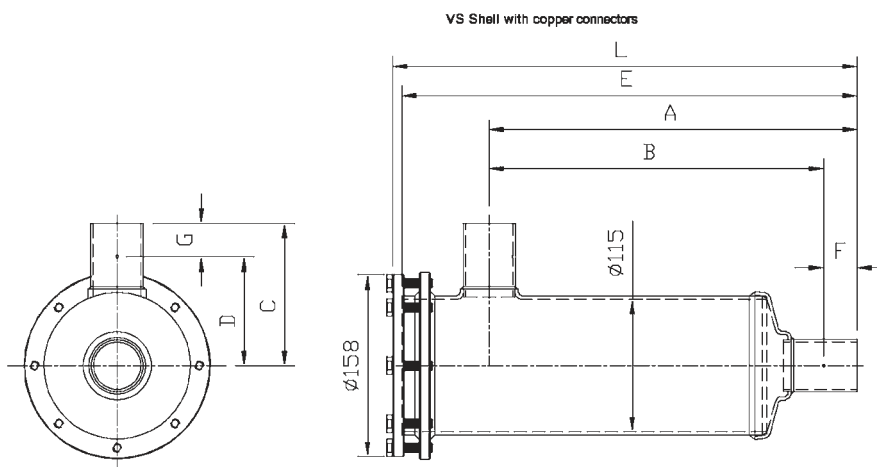
Technical Data

9

VS Shells

With COPPER CONNECTIONS for liquid line - INCHES

Part Number	Connections ODF	Flow Capacity (kW)					Dimensions (mm)							
		R134a	R404A R507	R407C	R410A	R22	A	B	C	D	E	F	G	L
VS485S	5/8"	68	48	71	73	74	167.8	157.8	113.5	103.5	243.8	10.0	10.0	251.8
VS487S	7/8"	119	84	124	127	129	167.8	152.8	113.5	98.5	243.8	15.0	15.0	251.8
VS489S	1-1/8"	166	117	173	178	180	170.8	152.8	116.5	98.5	246.8	18.0	18.0	254.8
VS4811S	1-3/8"	207	147	216	223	225	173.8	150.8	119.5	96.5	249.8	23.0	23.0	257.8
VS4813S	1-5/8"	224	158	234	241	244	175.8	148.8	123.5	96.5	251.8	27.0	27.0	259.8
VS4817S	2-1/8"	234	166	245	252	255	170.3	138.3	127.5	95.5	246.3	32.0	32.0	254.3
VS4821S	2-5/8"	245	173	256	264	267	161.8	129.8	131.5	99.5	247.8	32.0	32.0	255.8
VS967S	7/8"	126	89	132	135	137	311.8	296.8	113.5	98.5	387.8	15.0	15.0	395.8
VS969S	1-1/8"	206	145	215	221	224	314.8	296.8	116.5	98.5	390.8	18.0	18.0	398.8
VS9611S	1-3/8"	210	148	219	225	228	317.8	294.8	119.5	96.5	393.8	23.0	23.0	401.8
VS9613S	1-5/8"	234	166	245	252	255	319.8	292.8	123.5	96.5	395.8	27.0	27.0	403.8
VS9617S	2-1/8"	246	174	257	265	268	314.3	282.3	127.5	95.5	390.3	32.0	32.0	398.3
VS1449S	1-1/8"	212	150	222	228	231	455.8	437.8	116.5	98.5	531.8	18.0	18.0	539.8
VS14411S	1-3/8"	234	165	244	251	254	458.8	435.8	119.5	96.5	534.8	23.0	23.0	542.8
VS14413S	1-5/8"	245	173	255	263	266	460.8	433.8	123.5	96.5	536.8	27.0	27.0	544.8
VS14417S	2-1/8"	271	191	283	291	294	455.3	423.3	127.5	95.5	531.3	32.0	32.0	539.3
VS1929	1-1/8"	220	156	233	237	240	599.8	581.8	116.5	98.5	675.8	18.0	18.0	683.8
VS19211S	1-3/8"	242	171	253	260	263	602.8	579.8	119.5	96.5	678.8	23.0	23.0	686.8
VS19213S	1-5/8"	253	179	264	272	275	604.8	577.8	123.5	96.5	680.8	27.0	27.0	688.8
VS19217S	2-1/8"	284	200	296	305	308	599.3	567.3	127.5	95.5	675.3	32.0	32.0	683.3
VS19221S	2-5/8"	293	207	306	315	319	590.8	558.8	131.5	99.5	676.8	32.0	32.0	684.8



Accurate at the time of going to print.

For all requests, consult your nearest Parker Sporlan Wholesaler or contact us on:
racecustomerservice@parker.com / www.parker.com/race

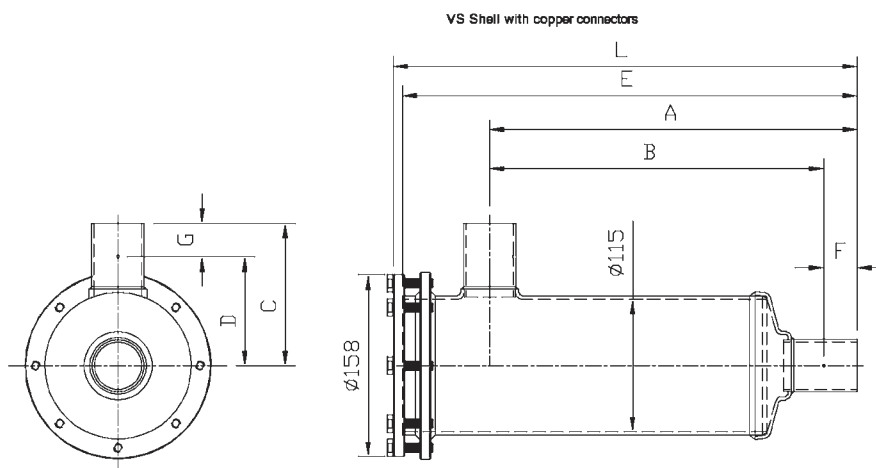


Technical Data

VS Shells

With COPPER CONNECTIONS for liquid line - METRIC

Part Number	Connections ODF	Flow Capacity (kW)					Dimensions (mm)							
		R134a	R404A R507	R407C	R410A	R22	A	B	C	D	E	F	G	L
VS485S	16 mm	68	48	71	73	74	167,8	157,8	113,5	103,5	243,8	10,0	10,0	251,8
VS4828mmS	28 mm	163	115	170	175	178	170,8	152,8	116,5	98,5	246,8	18,0	18,0	254,8
VS4811S	35 mm	207	147	216	223	225	173,8	150,8	119,5	96,5	249,8	23,0	23,0	257,8
VS4842mmS	42 mm	225	159	235	242	245	175,8	148,8	123,5	96,5	251,8	27,0	27,0	259,8
VS4817S	54 mm	234	166	245	252	255	170,3	138,3	127,5	95,5	246,3	32,0	32,0	254,3
VS9628mmS	28 mm	201	142	210	216	219	314,8	296,8	116,5	98,5	390,8	18,0	18,0	398,8
VS9611S	35 mm	210	148	219	225	228	317,8	294,8	119,5	96,5	393,8	23,0	23,0	401,8
VS9642mmS	42 mm	238	168	248	255	259	319,8	292,8	123,5	96,5	395,8	27,0	27,0	403,8
VS9617S	54 mm	246	174	257	265	268	314,3	282,3	127,5	95,5	390,3	32,0	32,0	398,3
VS14428mmS	28 mm	207	147	216	223	225	455,8	437,8	116,5	98,5	531,8	18,0	18,0	539,8
VS14411S	35 mm	234	165	244	251	254	458,8	435,8	119,5	96,5	534,8	23,0	23,0	542,8
VS14442mmS	42 mm	246	174	257	265	268	460,8	433,8	123,5	96,5	536,8	27,0	27,0	544,8
VS14417S	54 mm	271	191	283	291	294	455,3	423,3	127,5	95,5	531,3	32,0	32,0	539,3
VS19211S	35 mm	242	171	253	260	263	602,8	579,8	119,5	96,5	678,8	23,0	23,0	686,8
VS19242mmS	42 mm	256	181	267	275	278	604,8	577,8	123,5	96,5	680,8	27,0	27,0	688,8
VS19217S	54 mm	284	200	296	305	308	599,3	567,3	127,5	95,5	675,3	32,0	32,0	683,3



For all requests, consult your nearest Parker Sporlan Wholesaler or contact us on:
racecustomerservice@parker.com / www.parker.com/race



Technical Data

9

VS Shells

With STEEL CONNECTIONS for suction line with CONICAL FILTER (ASKSL)

Part Number	Connections ODF	Flow Capacity (kW)					Dimensions (mm)							
		R134a	R404A R507	R407C	R410A	R22	A	B	C	D	E	F	G	L
VS489CF	1-1/8"	63	45	66	68	69	161.8	131.8	97.5	72.5	237.8	30.0	25.0	245.8
VS4811CF	1-3/8"	75	53	79	81	82	161.8	131.8	97.5	72.5	237.8	30.0	25.0	245.8
VS4813CF	1-5/8"	88	62	91	94	95	168.8	133.8	99.5	74.5	244.8	35.0	25.0	252.8
VS4817CF	2-1/8"	106	75	110	113	115	166.8	141.8	99.5	74.5	242.8	25.0	25.0	250.8
VS4821CF	2-5/8"	120	85	126	129	131	172.5	147.5	127.5	102.5	258.5	25.0	25.0	266.5
VS4825CF	3-1/8"	132	93	138	141	143	182.9	138.9	133.0	88.0	268.9	45.0	45.0	276.9
VS9613CF	1-5/8"	103	73	108	111	112	312.8	277.8	99.5	74.5	388.8	35.0	25.0	396.8
VS9617CF	2-1/8"	126	89	131	135	137	310.8	285.8	99.5	74.5	386.8	25.0	25.0	394.8
VS9621CF	2-5/8"	164	116	171	176	178	316.5	291.5	127.5	102.5	402.5	25.0	25.0	410.5
VS9625CF	3-1/8"	202	142	210	216	219	326.9	282.9	133.0	88.0	412.9	44.0	45.0	420.9
VS4811CF	35 mm	75	53	79	81	82	161.8	131.8	97.5	72.5	237.8	30.0	25.0	245.8
VS4842mmCF	42 mm	89	63	92	95	96	168.8	133.8	99.5	74.5	244.8	35.0	25.0	252.8
VS4817CF	54 mm	106	75	110	113	115	166.8	141.8	99.5	74.5	242.8	25.0	25.0	250.8
VS9642mmCF	42 mm	105	74	109	112	113	312.8	277.8	99.5	74.5	388.8	35.0	25.0	396.8
VS9617CF	54 mm	126	89	131	135	137	310.8	285.8	99.5	74.5	386.8	25.0	25.0	394.8

See drawings page 00

VS Shells

With COPPER CONNECTIONS for suction line with CONICAL FILTER (ASKSL)

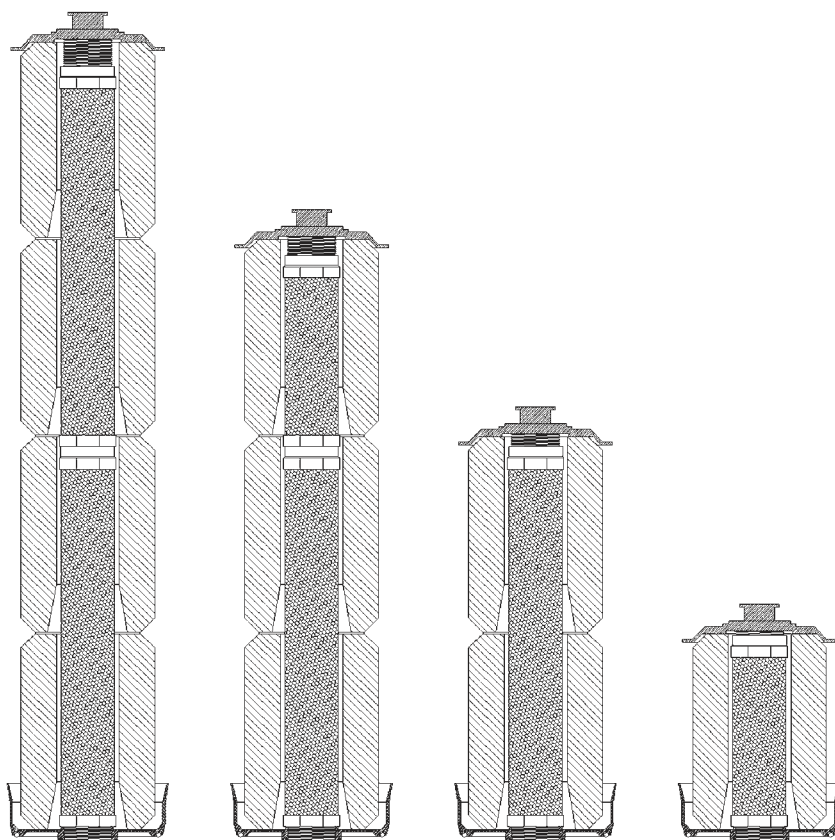
Part Number	Connections ODF	Flow Capacity (kW) ⁽¹⁾					Dimensions (mm)							
		R134a	R404A R507	R407C	R410A	R22	A	B	C	D	E	F	G	L
VS489SCF	1-1/8"	63	45	66	68	69	170.8	152.8	116.5	98.5	246.8	18.0	18.0	254.8
VS4811SCF	1-3/8"	75	53	79	81	82	173.8	150.8	119.5	96.5	249.8	23.0	23.0	257.8
VS4813SCF	1-5/8"	88	62	91	94	95	175.8	148.8	123.5	96.5	251.8	27.0	27.0	259.8
VS4817SCF	2-1/8"	106	75	110	113	115	170.3	138.3	127.5	95.5	246.3	32.0	32.0	254.3
VS4821SCF	2-5/8"	120	85	126	129	131	161.8	129.8	131.5	99.5	247.8	32.0	32.0	255.8
VS9613SCF	1-5/8"	103	73	108	111	112	319.8	292.8	123.5	96.5	395.8	27.0	27.0	403.8
VS9617SCF	2-1/8"	126	89	131	135	137	314.3	282.3	127.5	95.5	390.3	32.0	32.0	398.3
VS4811SCF	35 mm	75	53	79	81	82	173.8	150.8	119.5	96.5	249.8	23.0	23.0	257.8
VS4842mmSCF	42mm	89	63	92	95	96	175.8	148.8	123.5	96.5	251.8	27.0	27.0	259.8
VS4817SCF	54 mm	106	75	110	113	115	170.3	138.3	127.5	95.5	246.3	32.0	32.0	254.3
VS9642mmSCF	42mm	105	74	109	112	113	319.8	292.8	123.5	96.5	395.8	27.0	27.0	403.8
VS9617SCF	54 mm	126	89	131	135	137	314.3	282.3	127.5	95.5	390.3	32.0	32.0	398.3

See drawings page 00

Accurate at the time of going to print.

For all requests, consult your nearest Parker Sporlan Wholesaler or contact us on:
racecustomerservice@parker.com / www.parker.com/race





ASK4

ASK3

ASK2

ASK1

ASKSL

Conical filter
for suction use



ASK



For all requests, consult your nearest Parker Sporlan Wholesaler or contact us on:
racecustomerservice@parker.com / www.parker.com/race

Accurate at the time of going to print.

VS / Gores VS / Gold Parker Sporlan

Parker Sporlan offers a very large range of cores corresponding to all situations for help the user to maintain system's cleanness and efficiency.

This is a guarantee of cost reduction for maintenance and repair.



First Operation

VS32H: Dedicated to suction line filter shell with an innovative conical filter to reduce pressure drop at compressor suction. It is a blend of molecular sieve and activated alumina for a great moisture adsorption and high capacity of acid retention. It must be used in a suction line filter shell with **ASKSL** conical filter.

VS48H: "The" standard core for the liquid line made with a blend of molecular sieve and activated alumina. This core has high capacity of dehydration and acid retention. It can be used in a suction line filter shell with **ASK** cylindrical filter.

VS48XH: The highest moisture capacity available from a 48 inch cube core. It is made with 100% of 3Å molecular sieve in a good proportion of biding agent to have very high capacity of moisture adsorption.

VS48XH is the best core for installation where HFC refrigerant and associated oil are used, which are very hygroscopic. It is the perfect choice for chillers with shell and tubes or brazed plate evaporators. It doesn't have a potential for hydrolysis or bi-polar attraction of lubricant additives. It can be used in both liquid and suction line with **ASK** cylindrical filter.

VS48F: The felt element is designed for use in suction line will give effective filtration and compressor protection during start up and commissioning periods. For best results the It must be used in conjunction with the **ASKSL** conical filter. This allows small pressure drop and then protects compressors.

Temporary use only.

RPE-48-BD: The reinforced felt element designed for the suction line during the commissioning period and after. The felt element have an external stainless steel screen to prevent from destruction in case of too big pressure drop due to clogging. It with **ASK** cylindrical filter can replace **VS48F** after commissioning period.

Maintenance and Repair

VS48SC: dedicated to cleaning, decontamination or after compressor burn out. It uses an optimum blend of molecular sieve, activated alumina and activated charcoal. This allows to trap acid, sludge and wax and of course moisture. It must be used in the same time in both suction and liquid line for decreasing quickly acid content and to minimize the pressure drop in suction filter shell. **Temporary use only.**

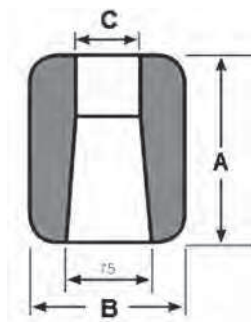
RCW48 "GOLD": This core has very high capacity of water retention. Especially made for refrigeration and air conditioning systems which work with HFC and POE lubricants. Thoses cores are the good choice after damage in water evaporator or when moisture content is very high. They can be used in both liquid and suction line.

Operating temperature range: -45°C to 65°C

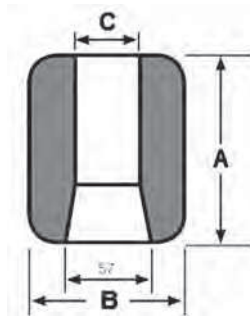
For all requests, consult your nearest Parker Sporlan Wholesaler or contact us on:
racecustomerservice@parker.com / www.parker.com/race

Technical Data

VS32H



48 Series



Part Number	Height A	Dimensions (mm)		Filtration Surface (cm ²)
		Ø External B	Ø Internal C	
VS32H	140	95	75	420
VS48H	140	95	45	420
VS48XH	140	95	45	420
VS48F	140	95	75	420
RPE-48-BD	140	95	62	420
VS48SC	140	95	45	420
RCW-48-GOLD	140	94	45	420

Drying Capacity - kg of refrigerant*

Part Number	R 22		R134a		R404A / R507		R407C		R410A	
	24°C	52°C	24°C	52°C	24°C	52°C	24°C	52°C	24°C	52°C
VS32H	12	9	16	12	10.5	10	12	9	10.8	8.1
VS48H	27.5	21	36.5	27.5	41.5	23.5	27.5	21	24.75	18.9
VS48XH	52	40	70	52	79	45	53	40	46.8	36
VS48SC	12.5	11	16.5	12	19.5	16.5	12.5	11	11.25	9.9
RCW-48-GOLD	55.5	45.2	60.1	43.4	64.5	52.5	46.7	15.1	24.1	18.1

* Drying capacity is the result of standard tests before and after drying from 1050 ppm to 50 ppm.



For all requests, consult your nearest Parker Sporlan Wholesaler or contact us on:
racecustomerservice@parker.com / www.parker.com/race

Accurate at the time of going to print.

Bi-Flow filter drier V2A Parker Sporlan WorldSeries™

Parker Sporlan WorldSeries™ V2A Bi-Flow liquid line filters driers ensure protection of reversible refrigeration, air conditioning and heat pumps systems from moisture, acids, and solid particles.



V2A Bi-Flow liquid line filter drier

is dedicated to all reversible systems requiring high degree of protection against humidity and its consequences.

Two check valves in both end side, made in rubber, ensure liquid flow in two directions without possibility of dirt, trapped inside the core, being discharge into the circuit.

The special design of check valve minimise the pressure drop into **V2A Bi-Flow liquid line filter drier**, this allows optimisation of the COP for the heat pump.

Parker Sporlan WorldSeries™ V2A Bi-Flow liquid line filters driers allow to simplify the installation of reversible systems and are adapted to high efficiency heat pumps.

Benefits

Max Working Pressure	45 bar (652 psig)
Temperature Range	40°C to +80°C

- **Leak Testing:** 100% Helium leak tested with Nitrogen pressure test
- **V2A Paint:** Polyester grey coating (RAL 7037) giving protection to 500 hours salt spray.
- **Filtration:** 20 microns
- **Approvals:** UL file no SA1906 PED 97/23/EC - article 3.3

The physical size of the **V2A liquid line filters driers** range allows the product to be manufactured under the PED category (art.3.3) which does not require "CE" marking.

Technical Data

V2A

Drying Capacity - kg of refrigerant*

V2A Series	R134a		R404A		R407C		R410A		R 22	
	24°C	52°C	24°C	52°C	24°C	52°C	24°C	52°C	24°C	52°C
V2A 08	6	6	5	5	4	5	5	5	5	5
V2A 16	11	10	9	8	9	8	8	7	10	8

* Drying capacity is the results of standard tests before and after drying from 1050 ppm to 50 ppm

V2A

Liquid Refrigerant Holding - Capacity Grams at 40°C

V2A Series	R134a	R404A	R407C	R410A	R 22
V2A 08	216	182	203	187	214
V2A 16	269	227	253	233	266

V2A

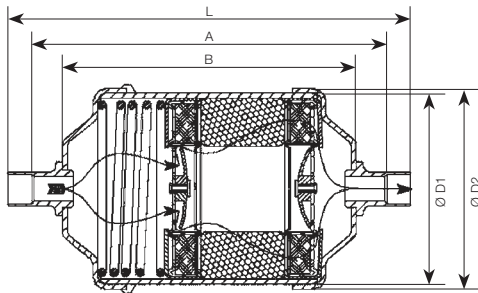
Flow capacity in kW

Part number V2A Series(2)	Connection Size		Flow Capacity (kW) (1)				Dimensions (mm)					Weight Kg
	SAE	ODF	R134a	R404A R507	R407C	R410A R22	L	A	B	D1	D2	
V2A083F	3/8"	-	11.0	9.0	12.0	12.0	151.6	-	98.3	63.5	66.7	0.60
V2A083S	-	3/8"	11.0	9.0	12.0	12.0	134.9	119.1	98.3	63.5	66.7	0.60
V2A084F	1/2"	-	20.0	15.0	22.0	22.0	156.6	-	98.3	63.5	66.7	0.60
V2A084S	-	1/2"	20.0	15.0	22.0	22.0	134.9	116.1	98.3	63.5	66.7	0.60
V2A163F	3/8"	-	12.0	9.0	13.0	13.0	170.6	-	117.3	63.5	66.7	0.66
V2A163S	-	3/8"	12.0	9.0	13.0	13.0	153.9	154.8	117.3	63.5	66.7	0.66
V2A164F	1/2"	-	21.0	16.0	23.0	23.0	175.6	-	117.3	63.5	66.7	0.68
V2A164S	-	1/2"	21.0	16.0	23.0	23.0	153.9	135.1	117.3	63.5	66.7	0.68
V2A165F	5/8"	-	30.0	23.0	33.0	33.0	183.1	-	117.3	63.5	66.7	0.76
V2A165S	-	5/8" 16 mm	30.0	23.0	33.0	33.0	159.9	134.5	117.3	63.5	66.7	0.76

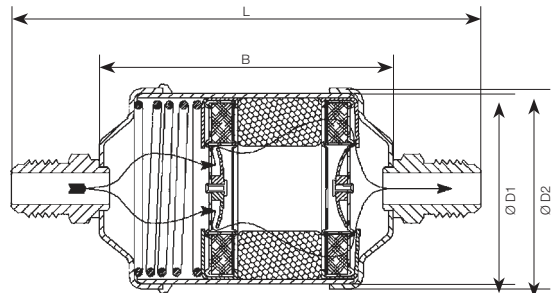
(1) Liquid capacity in accordance with ARI 710-86 standard - Te = -15°C, Tc = 30°C, Δp = 0.07 bar (1 psig)
Other working conditions see pages 00 & 00

(2) F = Flare (SAE), S = Solder

V2A Solder



V2A Flare



For all requests, consult your nearest Parker Sporlan Wholesaler or contact us on:
racecustomerservice@parker.com / www.parker.com/race

Accurate at the time of going to print.

